

Article datasheet

## Solderless Terminal DIN46234 M6 4-6mm<sup>2</sup> Copper tinned AWG 12-10

Article-No.: 018.65.465

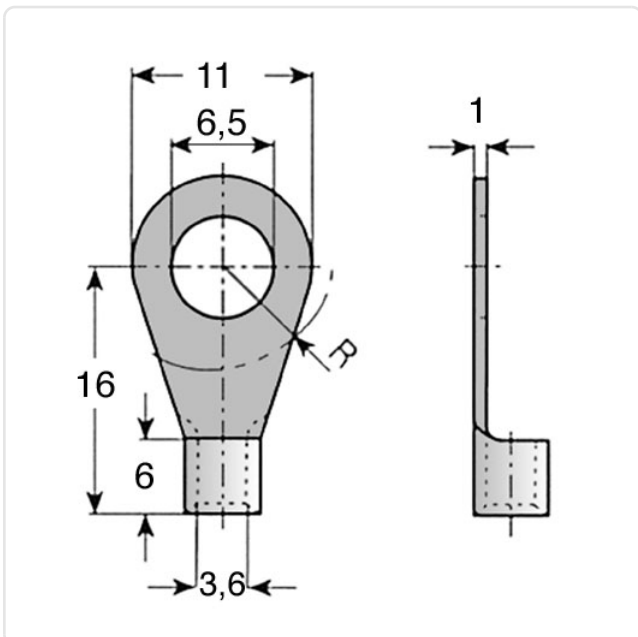


Image may be similar

DIN/ISO:	DIN46234-A
For Thread Size:	M6
Inside Dia.D1 [mm]:	3.6
Material:	Electrolytic Copper
Outer Diameter [mm]:	11
Wire Cross Section [mm <sup>2</sup> ]:	4.0-6.0
Weight:	1.64g
Conformities:	



You can find all  
information on the web on  
our article detail page



Would you like individual advice?

We look forward to your email to [products@ettinger.de](mailto:products@ettinger.de).

Subject to change and errors.