

Article datasheet

Power-Element M6 - 4 pins for max. current 200 A

Article-No.: 013.41.764

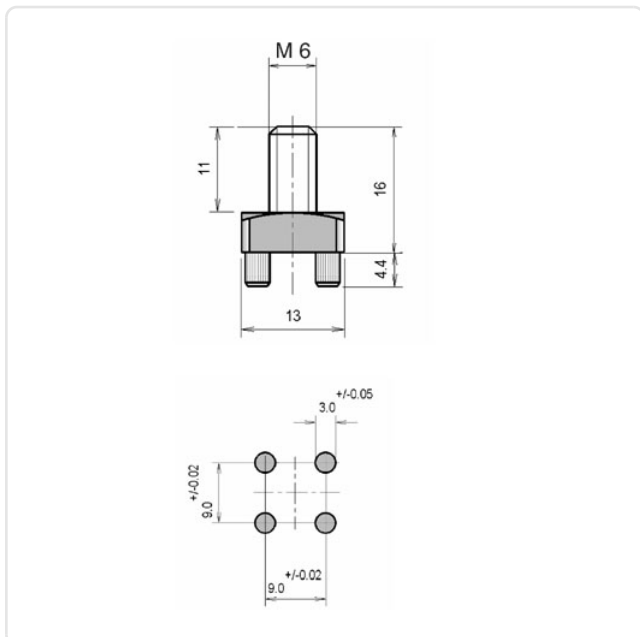


Image may be similar

Amperage [A]: 200
Finish: Tin-Plated
Grid [mm]: 9.0
Material: Brass
Thread Size: M6
Weight: 10g
Conformities:



You can find all information on the web on our article detail page



Would you like individual advice?

We look forward to your email to products@ettinger.de.

Subject to change and errors.