

Article datasheet

Solder Terminal Pin $\varnothing 1.0 \times 12.0$ mm Brass tinned - round press-in shaft

Article-No.: 013.14.125

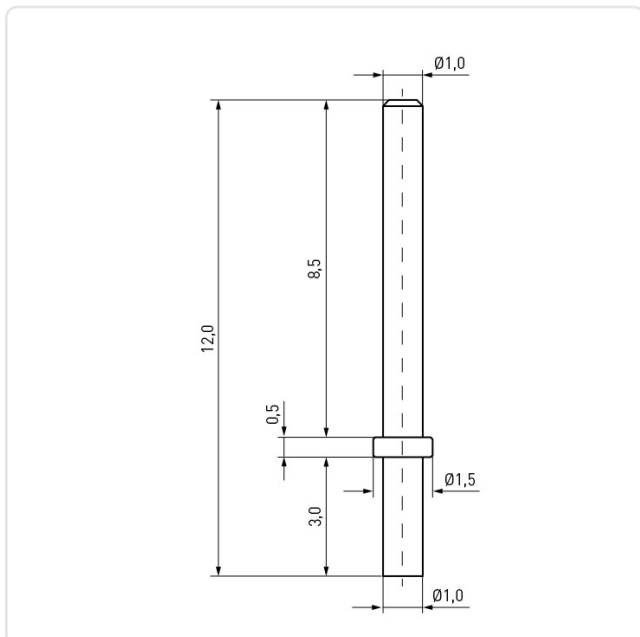


Image may be similar

Diameter [mm]: 1
Finish: Tin-Plated
Length [mm]: 12
Material: Brass CW614N / CuZn39Pb3
Material Group: Brass
Model: round
PCB Hole \varnothing [mm]: 1
Weight: 0.09g
Conformities:



You can find all information on the web on our article detail page



Would you like individual advice?

We look forward to your email to products@ettinger.de.

Subject to change and errors.