

Article datasheet

Anti-Kink Sleeve $\varnothing 8.0/41.3\text{mm}$ PVC black $-25^{\circ}/+70^{\circ}\text{C}$

Article-No.: 014.02.179

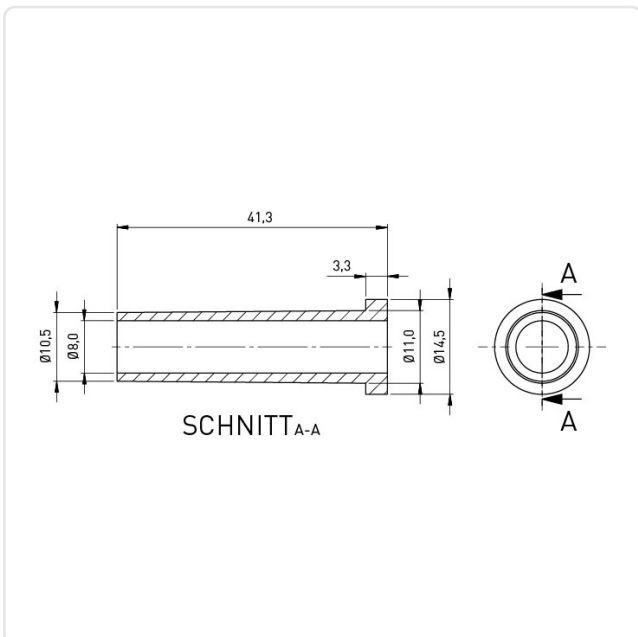


Image may be similar

Color: Black
Inner Diameter [mm]: 7.9
Material: PVC - Polyvinyl Chloride
Material Group: Plastic
Mounting Hole [mm]: 11
Panel Thickness [mm]: 0
Weight: 2.84g
Conformities:



You can find all
information on the web on
our article detail page



Would you like individual advice?

We look forward to your email to products@ettinger.de.

Subject to change and errors.