

Article datasheet

Cable Gland PG9 DIN 46320 Brass nickel-plated

Article-No.: 014.34.093

Manufacturer: LAPP

Manufacturer article-no.: 52000220

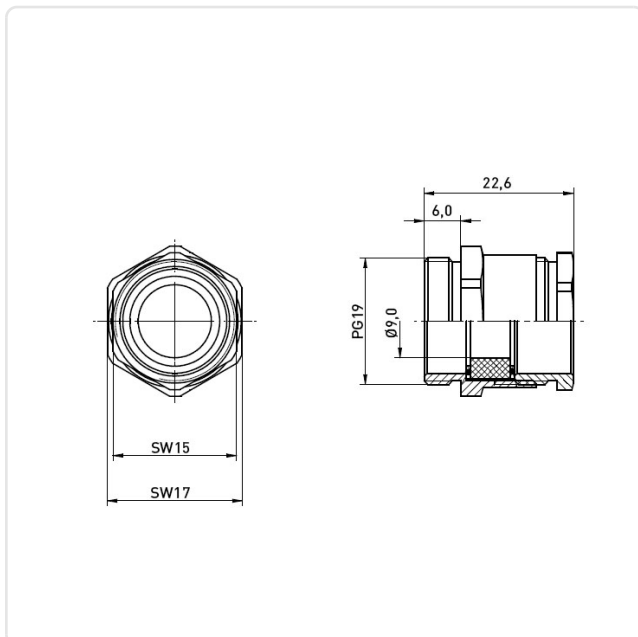


Image may be similar

AF / OD [mm]:	17
Material:	Brass
Material Group:	Brass
Mounting Hole [mm]:	15.7
Panel Thickness Range [mm]:	8.0-10.0
Protection Code:	IP54
Thread Size:	PG9
Weight:	12.35g
Conformities:	



You can find all information on the web on our article detail page



Would you like individual advice?

We look forward to your email to products@ettinger.de.

Subject to change and errors.