

Article datasheet

Knurled Nut DIN467 M6 Polyamide 6.6 black

Article-No.: 002.18.060

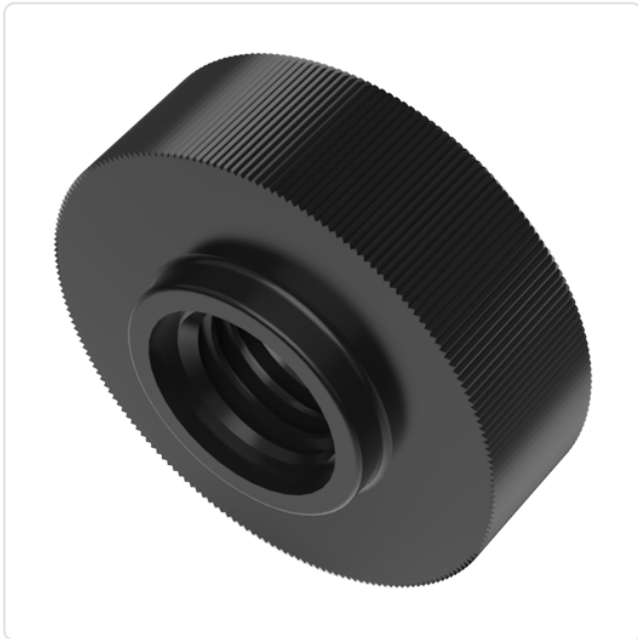
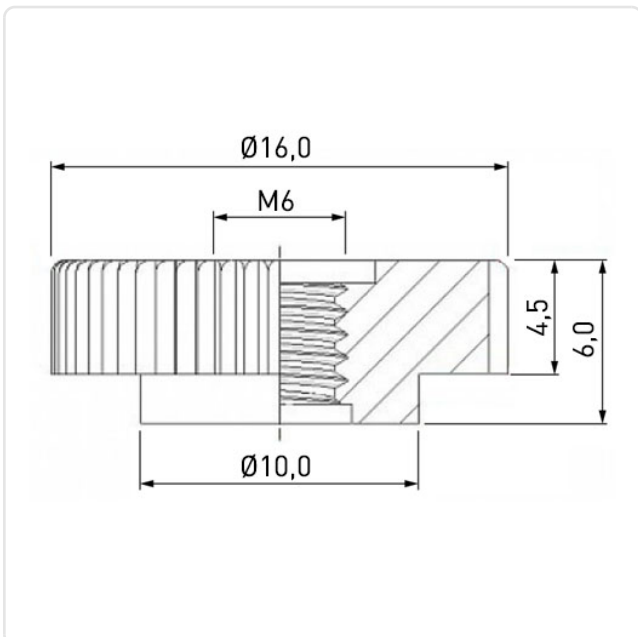


Image may be similar

AF / OD [mm]: 16
Color: Black
DIN/ISO: DIN467
Height [mm]: 6
Material: PA 6.6
Material Group: Plastic
Thread Size: M6
Conformities:



You can find all
information on the web on
our article detail page



Would you like individual advice?

We look forward to your email to products@ettinger.de.

Subject to change and errors.