

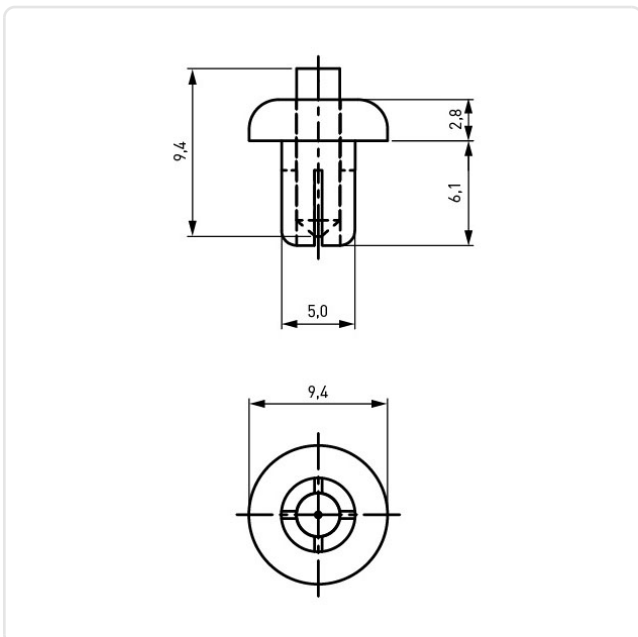
Article datasheet

Drive Rivet Ø5.0 | 3.0-4.0 Polyamide 6 black

Article-No.: 072.15.540



Image may be similar



Color:	Black
Flammability Class:	UL94-V2
Head Diameter [mm]:	9.4
Head Height [mm]:	2.8
Length [mm]:	6.1
Material:	PA 6.0
Material Group:	Plastic
Model:	not removable
Mounting Hole Range [mm]:	Ø 5.0-5.3
Panel Thickness [mm]:	3,0-4,0
Rivet Diameter [mm]:	5
Weight:	0.31g
Conformities:	



You can find all
information on the web on
our article detail page

Would you like individual advice?

We look forward to your email to products@ettinger.de.

Subject to change and errors.