

Article datasheet

Fuse holder 5x20mm with bayonet cap LCP black UL94-V0/6.3A 250V/IP40

Article-No.: 015.06.585

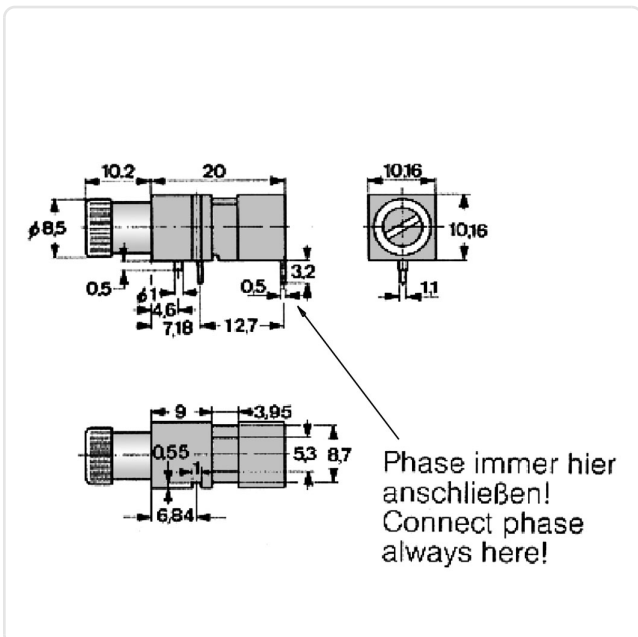


Image may be similar

Amperage [A]: 6.3
 Fuse Size [mm]: 5.0x20.0
 Material: Plastic
 Model: Fuse Holder
 Mounting Hole [mm]: 8.1
 Protection Code: IP40
 Weight: 4.08g
 Conformities:



You can find all information on the web on our article detail page



Would you like individual advice?

We look forward to your email to products@ettinger.de.

Subject to change and errors.