

Article datasheet

Terminal Pin $\varnothing 1.3 \times 13 \text{mm}$ Brass tinned

Article-No.: 013.16.135

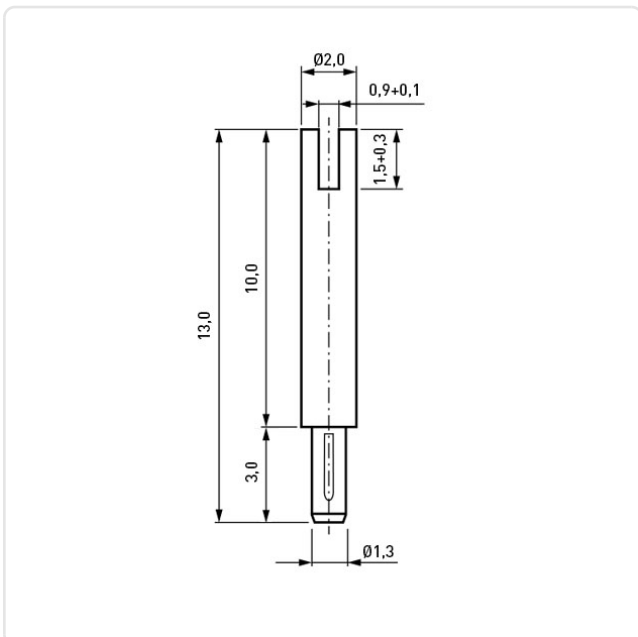


Image may be similar

Diameter [mm]: 1.3
Finish: Tin-Plated
Length [mm]: 13
Material: Brass
Model: round
PCB Hole \varnothing [mm]: 1.35
Weight: 0.28g
Conformities:



You can find all information on the web on our article detail page



Would you like individual advice?

We look forward to your email to products@ettinger.de.

Subject to change and errors.