

Article datasheet

Ceramic Solder Terminal - 2 soldertags and Threadpin M3

Article-No.: 013.80.731

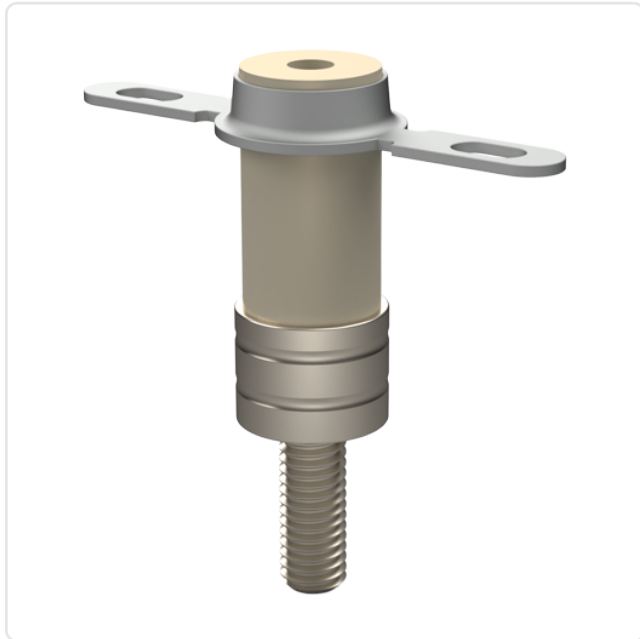
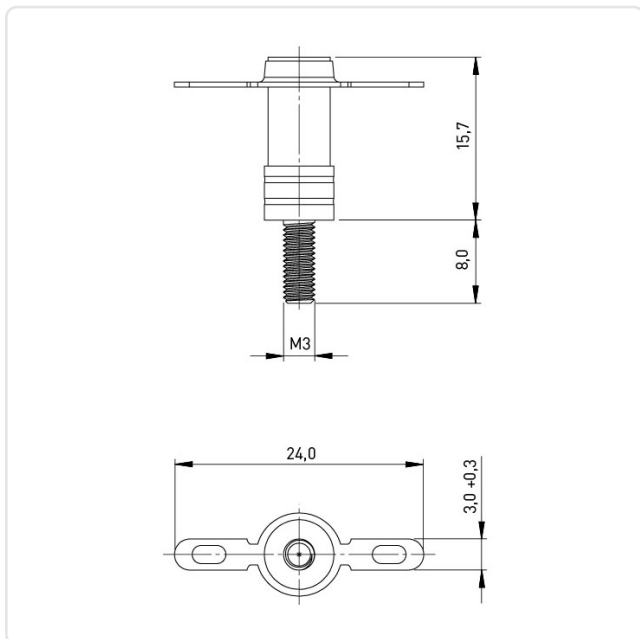


Image may be similar

Diameter [mm]: 3.2
Finish: Tin-Plated
Length [mm]: 15.7
Material: Ceramic C221
Material Group: Keramik
Weight: 2.28g
Conformities:



You can find all
information on the web on
our article detail page



Would you like individual advice?

We look forward to your email to products@ettinger.de.

Subject to change and errors.