

Article datasheet

Solderless Pin Terminal 4-6mm² Polyamid,yellow

Article-No.: 018.55.764

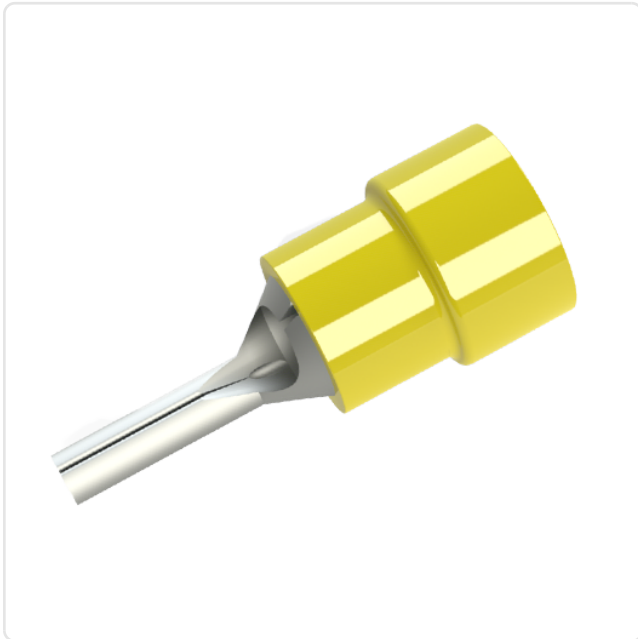
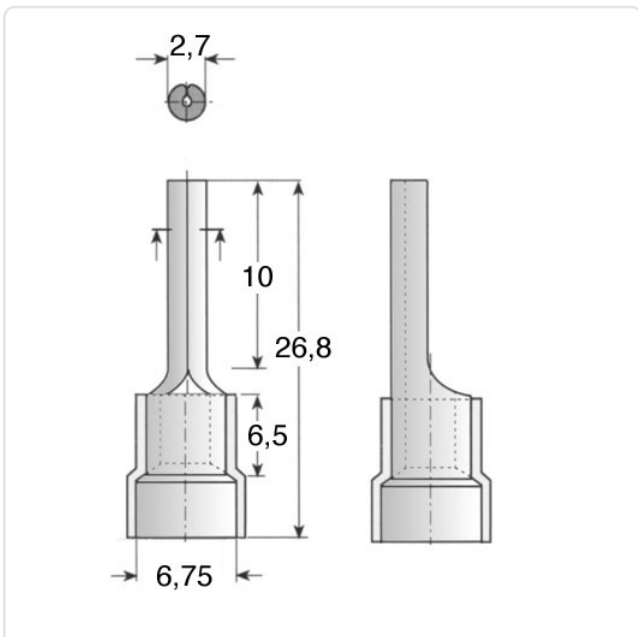


Image may be similar

Color:	Yellow
DIN/ISO:	DIN46231-A
Insulation:	Polyamide
Material:	Copper
Outer Diameter [mm]:	2.7
Wire Cross Section [mm ²]:	4.0-6.0
Weight:	1.7g
Conformities:	



You can find all
information on the web on
our article detail page



Would you like individual advice?

We look forward to your email to products@ettinger.de.

Subject to change and errors.