

Article datasheet

Twist Lock BHKL ø10.2-12.7mm Polyamid 6.6 natural/UL94-V2 E70062

Article-No.: 072.66.416



Image may be similar

Bundle Diameter [mm]: 10,0-15,0

Color: Natural

Flammability Class: UL94-V2

Material: PA 6.6

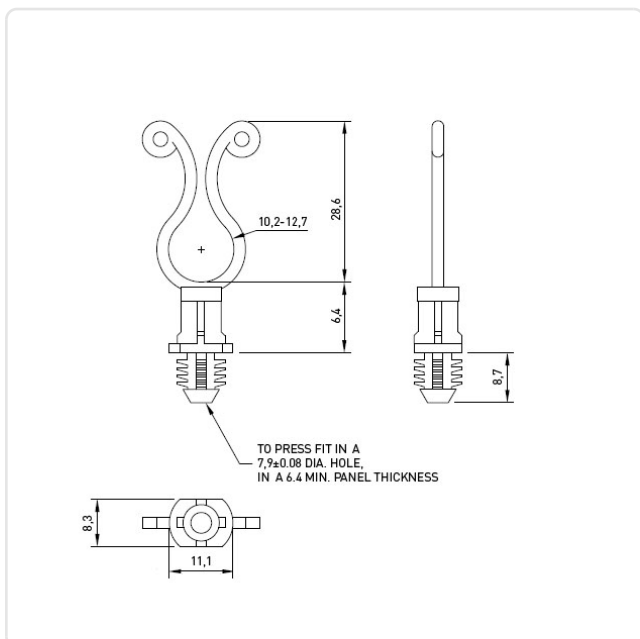
Model: Blind Hole Mounting

Weight: 0.98g

Conformities:



You can find all information on the web on our article detail page



Would you like individual advice?

We look forward to your email to products@ettinger.de.

Subject to change and errors.