

Article datasheet

Card Guides for 1/16"PCB/88.9mm Polyamid 6.6 natural/UL94-V2

Article-No.: 075.28.135

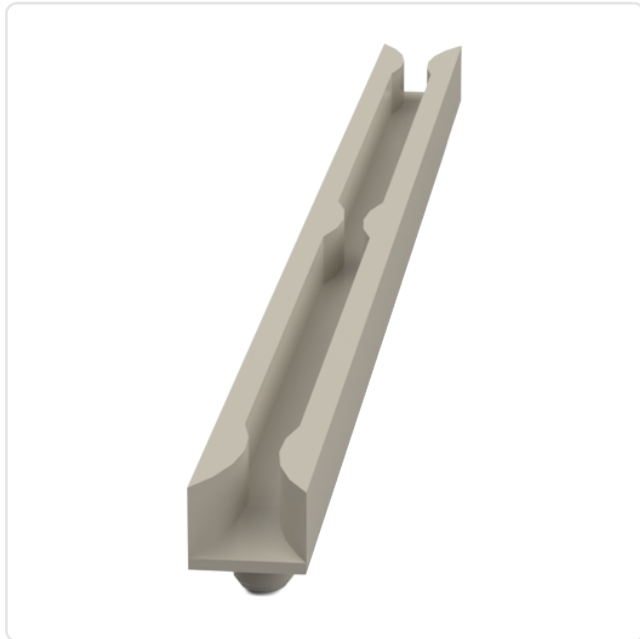


Image may be similar

Color:	Natural
Dist. Mounting Holes [mm]:	76.2
Flammability Class:	UL94-V2
Length [mm]:	89
Material:	PA 6.6
Material Group:	Plastic
Model:	Plug-In Foot
Width [mm]:	6.1
Weight:	1.86g
Conformities:	<div style="display: flex; gap: 10px;"> <div style="border: 1px solid green; padding: 2px; font-size: 8px;">Reach COMPLIANT</div> <div style="border: 1px solid green; padding: 2px; font-size: 8px;">RoHS COMPLIANT</div> <div style="border: 1px solid green; padding: 2px; font-size: 8px;">SVHC COMPLIANT</div> </div>



You can find all information on the web on our article detail page

Would you like individual advice?

We look forward to your email to products@ettinger.de.

Subject to change and errors.

