

Article datasheet

OKW Flat-Pack Case 189 N

Article-No.: 090.40.065

Manufacturer: OKW Gehäusesysteme

Manufacturer article-no.: A90.40.065

OKW
GEHÄUSE
SYSTEME

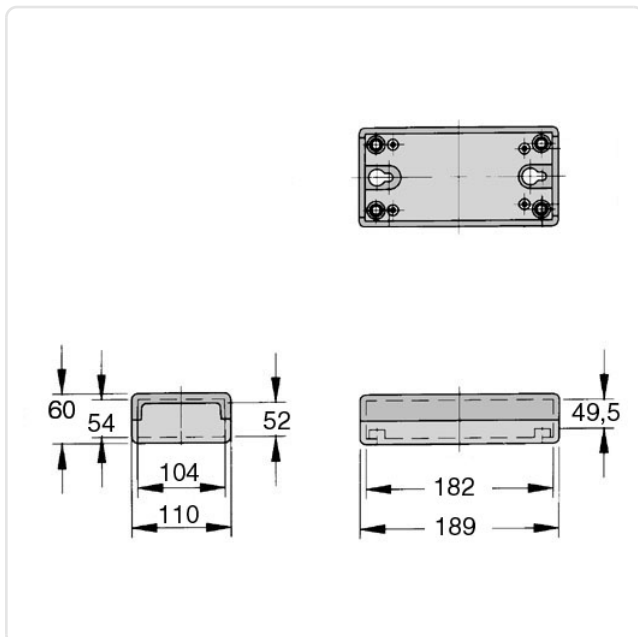


Image may be similar

Color: Gray
Flammability Class: UL94-HB
Height [mm]: 60
Length [mm]: 189
Material: ABS - Acrylonitrile Butadiene Styrene
Material Group: Plastic
Protection Code: IP40
Width [mm]: 110
Weight: 246.25g
Conformities:



You can find all
information on the web on
our article detail page



Would you like individual advice?

We look forward to your email to products@ettinger.de.

Subject to change and errors.