

Article datasheet

Flat Tie Holder 3.0/12.7mm Polyamid 66 white heat-stabilized +85°C

Article-No.: 072.59.028

Manufacturer: Panduit

Manufacturer article-no.: ABM1M-AT-M

PANDUIT™



Image may be similar

Cable Tie Width max. [mm]: 3.0

Color: White

Flammability Class: UL94-V2

Height [mm]: 4

Length [mm]: 12.7

Material: PA 6.6

Material Group: Plastic

Model: Fastening Plate, Self-Adhesive

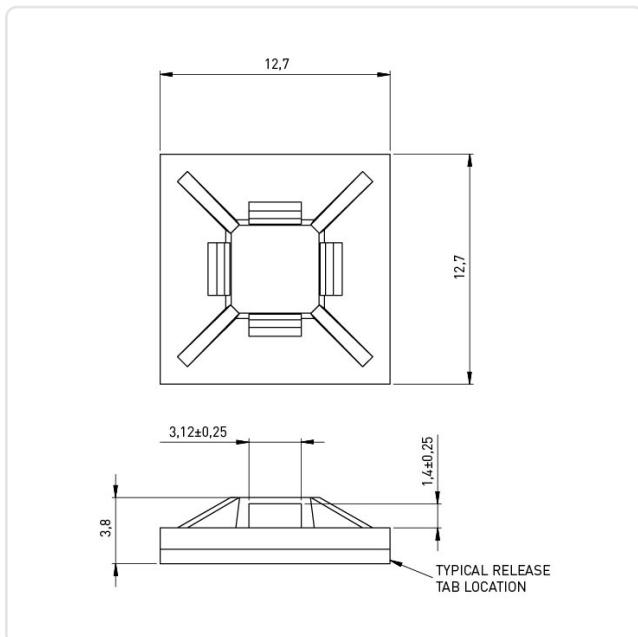
Width [mm]: 12.7

Weight: 0.23g

Conformities:



You can find all
information on the web on
our article detail page



Would you like individual advice?

We look forward to your email to products@ettinger.de.

Subject to change and errors.