

Article datasheet

Power-Element M5 8-pole Brass tinned max. current 160A

Article-No.: 013.45.452

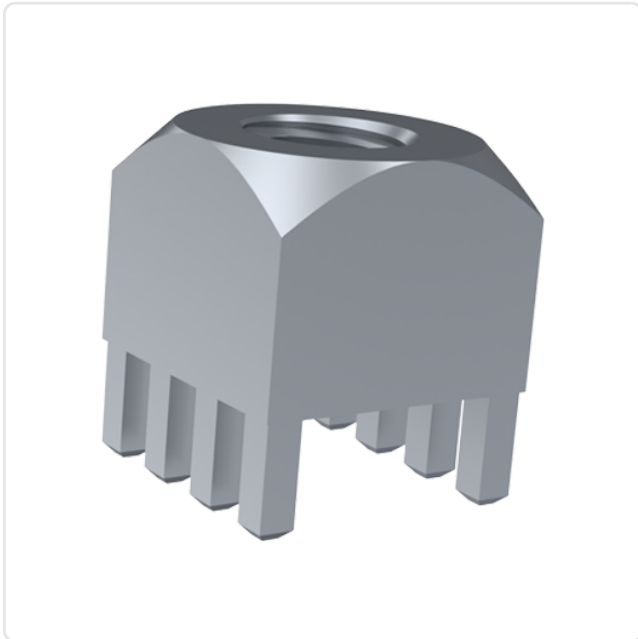
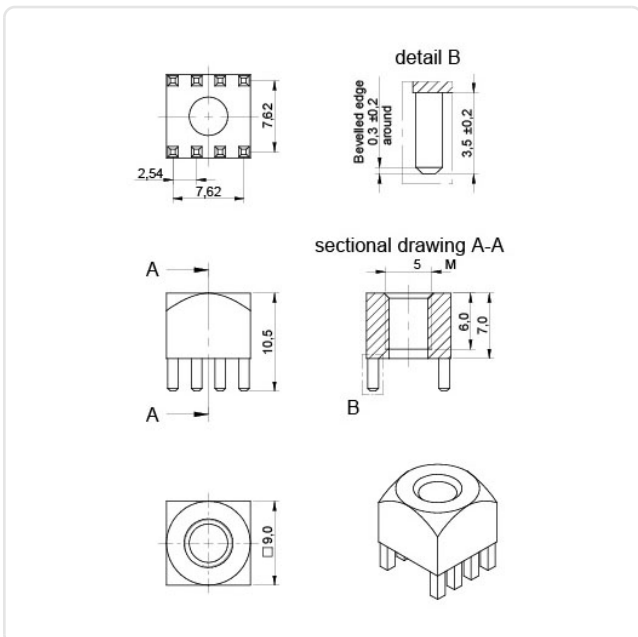


Image may be similar

Amperage [A]: 160
 Finish: Tin-Plated
 Grid [mm]: 2.54
 Material: Brass
 Material Group: Brass
 PCB Hole Ø [mm]: 1.65
 Thread Size: M5
 Weight: 4.04g
 Conformities:



You can find all information on the web on our article detail page



Would you like individual advice?

We look forward to your email to products@ettinger.de.

Subject to change and errors.