

Article datasheet

Blade Terminal 2.8x0.8 | 12.2 Tin-Plated Brass 200 pcs. On Wire

Article-No.: 019.21.845

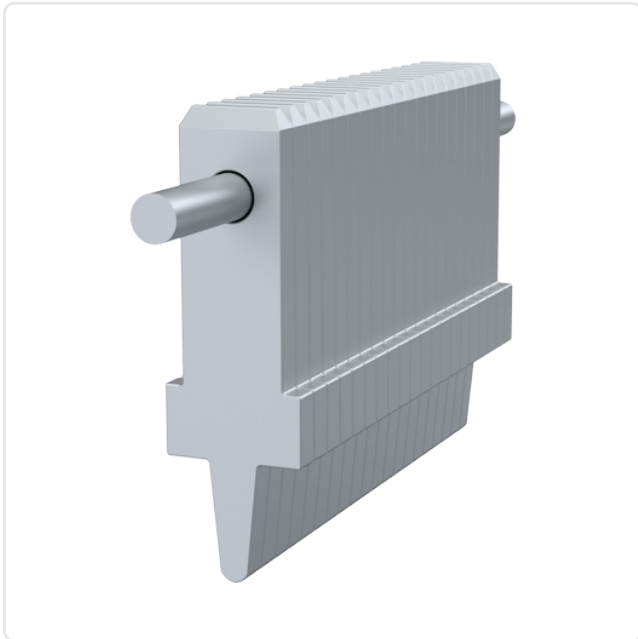


Image may be similar

Bending Angle [°]:	0
Finish:	Tin-Plated
Length [mm]:	12.2
Material:	Brass
Material Group:	Brass
PCB Hole Ø [mm]:	1.3
Plug-In Length [mm]:	7.1
Size [mm]:	2.8x0.8
Tabs:	1
Weight:	0.19g
Conformities:	



You can find all
information on the web on
our article detail page

Would you like individual advice?

We look forward to your email to products@ettinger.de.

Subject to change and errors.

