

Article datasheet

Light Pipe 90° for SMD-LED Polycarbonat clear

Article-No.: 063.70.117

Manufacturer: BIVAR

Manufacturer article-no.: RLP1-200-650

BIVAR

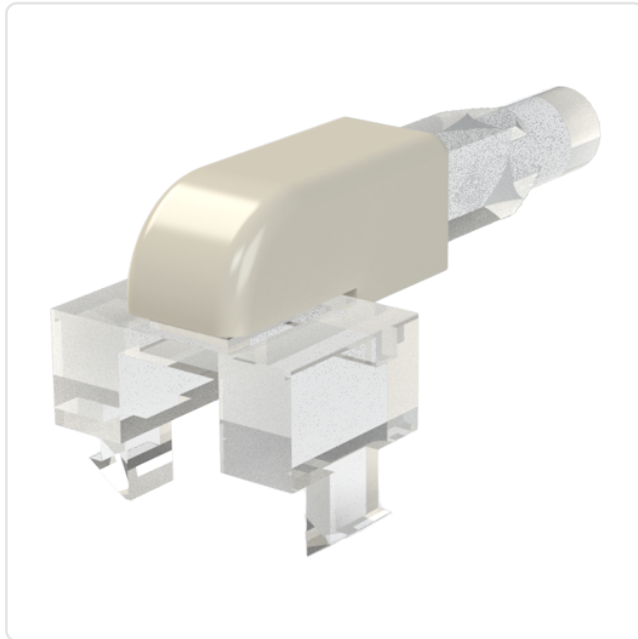


Image may be similar

Color: White
Model: Angled 90°
Weight: 0.39g
Conformities:



You can find all information on the web on our article detail page

Would you like individual advice?

We look forward to your email to products@ettinger.de.

Subject to change and errors.

