

Article datasheet

Straight-Thru Strain Relief Bushing 5,6-6,2/-1,6, white

Article-No.: 014.04.159

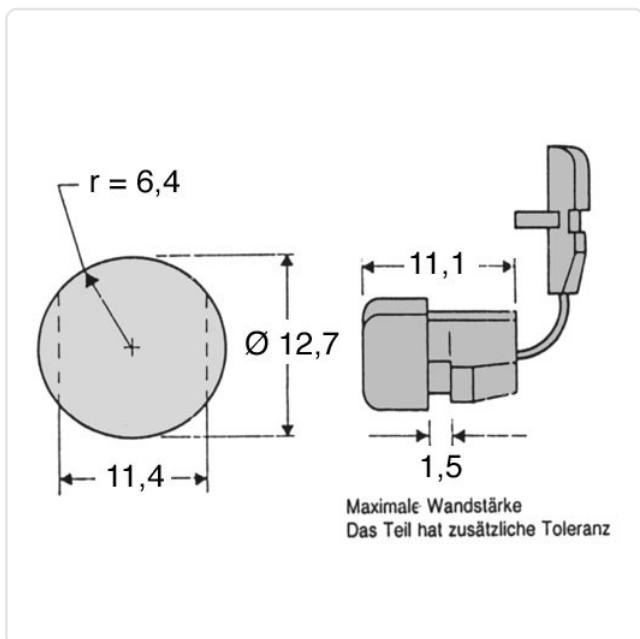


Image may be similar

Color:	White
Material:	PA 6.6
Material Group:	Plastic
Max. Panel Thickness [mm]:	1.6
Mounting Hole [mm]:	12.7
Panel Thickness Range [mm]:	5,6-6,2 mm
Weight:	1.13g
Conformities:	



You can find all
information on the web on
our article detail page



Would you like individual advice?

We look forward to your email to products@ettinger.de.

Subject to change and errors.