

Article datasheet

Retaining Ring $\varnothing 3.0/9.7 \times 1.3$ A2 Plain Stainless Steel

Article-No.: 003.15.439

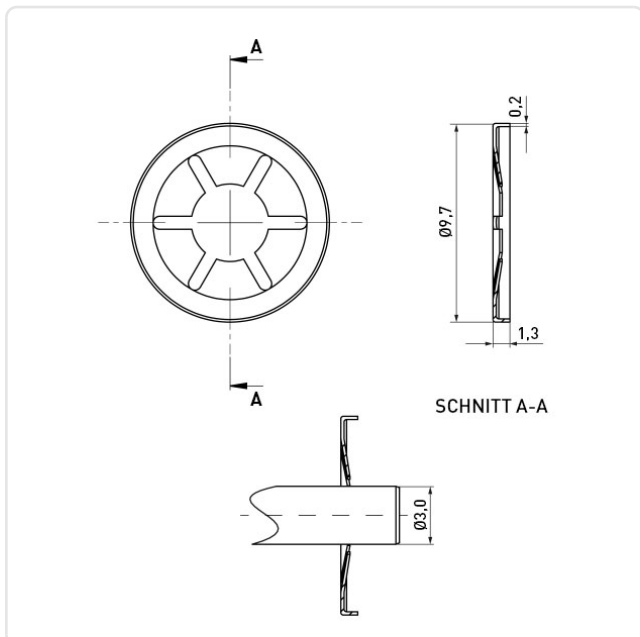


Image may be similar

Finish: Plain
Height [mm]: 1.3
Material: Stainless Steel AISI 304 / A2
Material Group: Stainless Steel
Outer Diameter [mm]: 9.7
Weight: 0.13g
Conformities:



You can find all
information on the web on
our article detail page



Would you like individual advice?

We look forward to your email to products@ettinger.de.

Subject to change and errors.