

Article datasheet

End-Sleeve 2x 1mm²/6mm Polypropylene,yellow/Not UL listed

Article-No.: 018.82.101

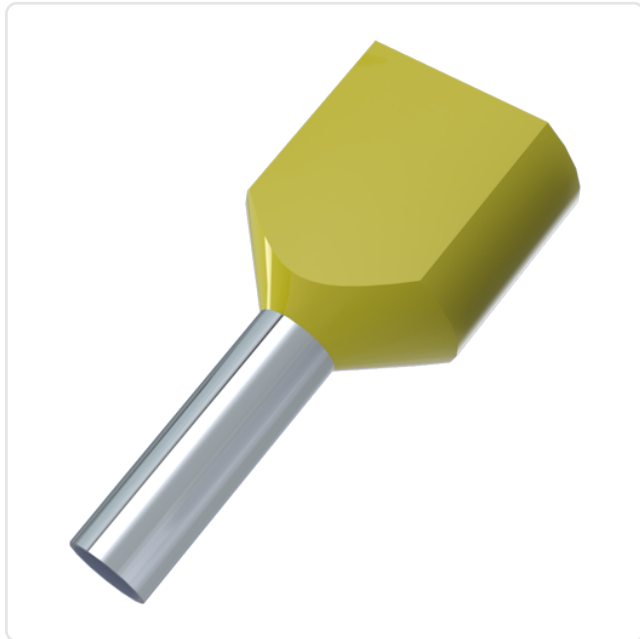
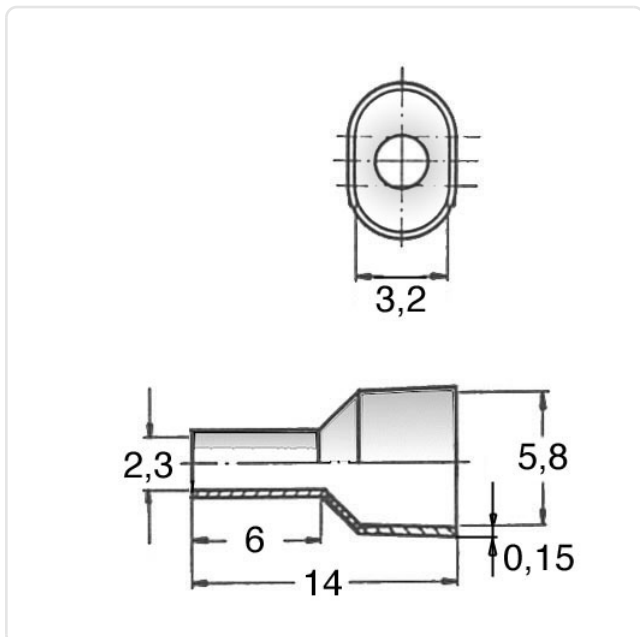


Image may be similar

Color:	Yellow
Finish:	Tin-Plated
Insulation:	Polypropylene
Length [mm]:	13.7
Material:	Electrolytic Copper
Wire Cross Section [mm ²]:	1.0
Weight:	0.13g
Conformities:	



You can find all
information on the web on
our article detail page



Would you like individual advice?

We look forward to your email to products@ettinger.de.

Subject to change and errors.