

Article datasheet

Butt connector 0.5-1.5mm² AWG22-16 PVC red - copper tinned E329382

Article-No.: 018.71.112

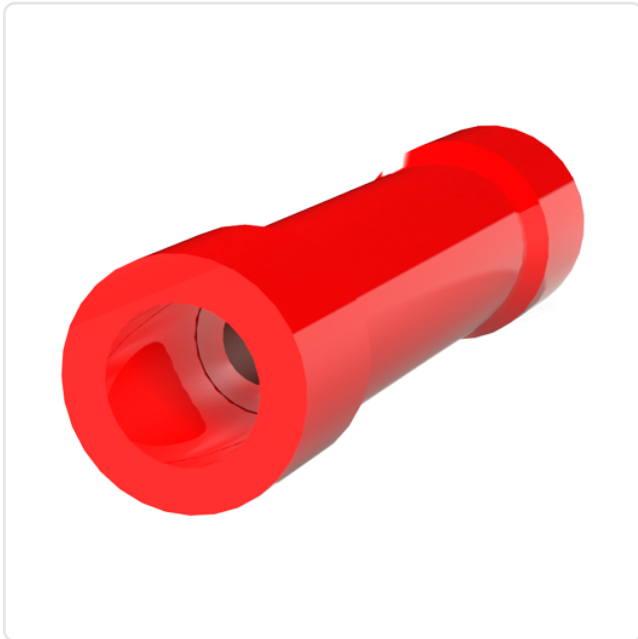
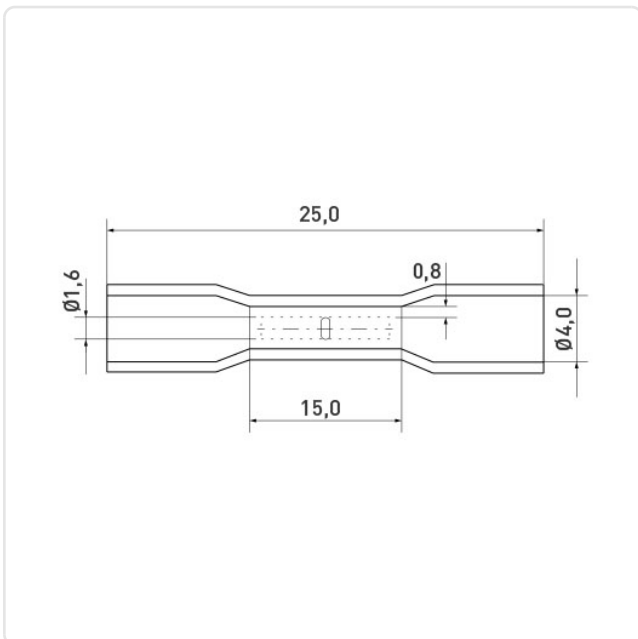


Image may be similar

Color: Red
Insulation: PVC
Length [mm]: 25
Material: Copper
Wire Cross Section [mm²]: 0.5-1.5
Weight: 1.15g
Conformities:



You can find all information on the web on our article detail page



Would you like individual advice?

We look forward to your email to products@ettinger.de.

Subject to change and errors.