

Article datasheet

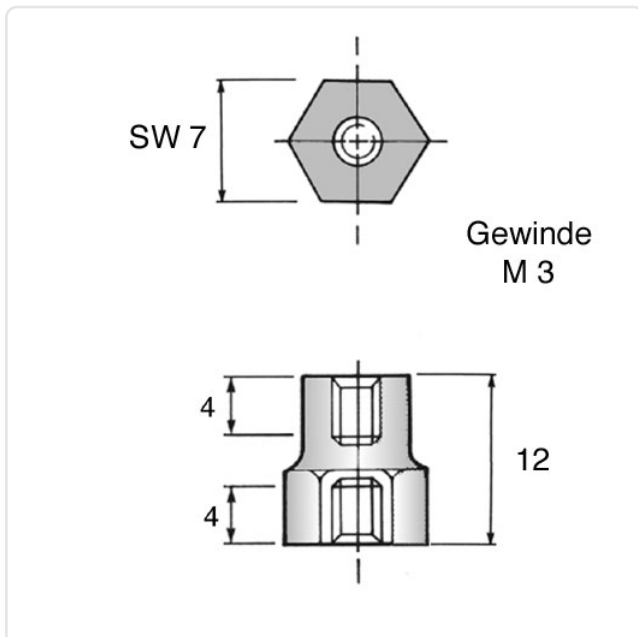
## Insulated Standoff PA-Brass F/F AF7x12 | Thread M3x4 / M3x4

Article-No.: 005.41.839



Image may be similar

AF / OD [mm]: 7  
Flammability Class: UL94-HB  
Length [mm]: 12  
Material: PA 6.6  
Material Group: Plastic  
Profile: Hexagonal  
Thread 1 Length [mm]: 4  
Thread 1 Size: M3  
Thread 2 Length [mm]: 4  
Thread 2 Size: M3  
Thread Insert Material: Brass  
Weight: 0.86g  
Conformities:



You can find all information on the web on our article detail page

Would you like individual advice?

We look forward to your email to [products@ettinger.de](mailto:products@ettinger.de).

Subject to change and errors.