

Article datasheet

Cable Gland M20x1.5 IP68 clamping range \varnothing 5-10mm PA lightgrey

Article-No.: 014.23.627

Manufacturer: LAPP

Manufacturer article-no.: 53112690

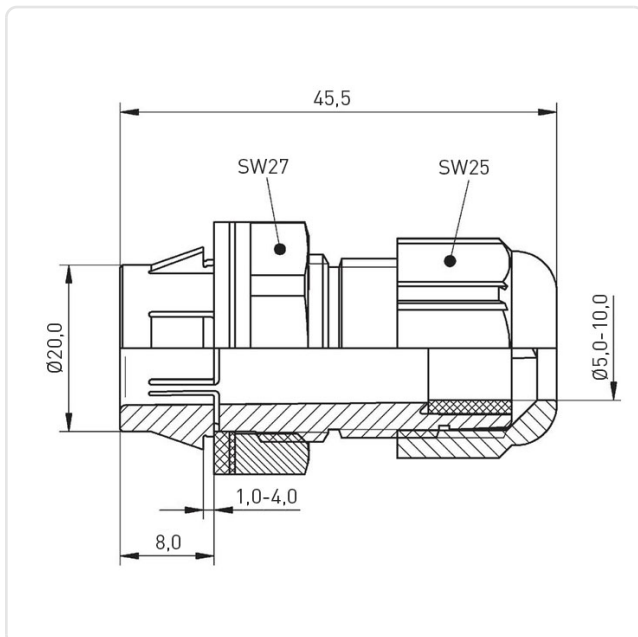


Image may be similar

AF / OD [mm]:	25
Color:	Gray
Material:	PA 6.0
Material Group:	Plastic
Mounting Hole [mm]:	20.1
Panel Thickness Range [mm]:	5,0-10,0
Protection Code:	IP68
Thread Size:	M20
Weight:	16.08g
Conformities:	



You can find all information on the web on our article detail page



Would you like individual advice?

We look forward to your email to products@ettinger.de.

Subject to change and errors.