

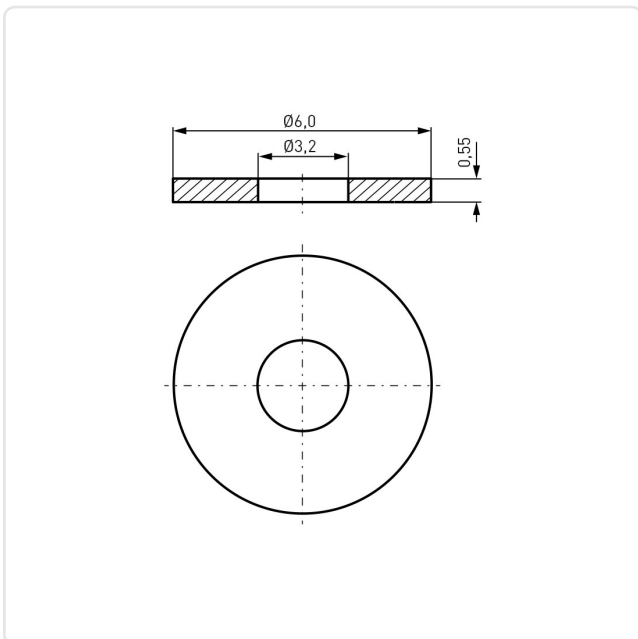
Article datasheet

## Flat Washer DIN433/ISO7092 Ø3.2/6.0 x 0.5 Galvanized Steel

Article-No.: 003.01.031



Image may be similar



DIN/ISO:	DIN433 / ISO7092
Finish:	Galvanized, Blue, 5 µm, A2K
For Thread Size:	M3
Height [mm]:	0.5
Inner Diameter [mm]:	3.2
Material:	Steel
Material Group:	Stahl
Outer Diameter [mm]:	6
Weight:	0.07g
Conformities:	



You can find all  
information on the web on  
our article detail page

Would you like individual advice?

We look forward to your email to [products@ettinger.de](mailto:products@ettinger.de).

Subject to change and errors.