

Article datasheet

## Toothed Lock Washer $\varnothing 12.1/17.2 \times 0.5$ Alkaline Galvanized Ste

Article-No.: 003.44.127

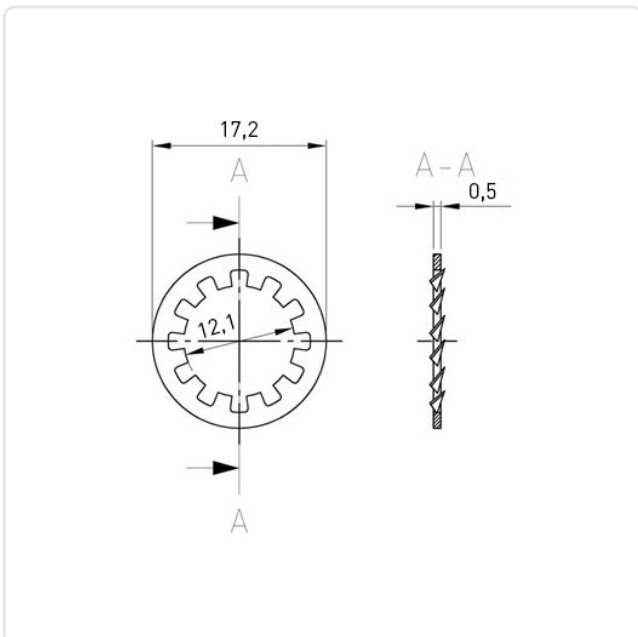


Image may be similar

Finish: Alkaline Galvanized 8  $\mu\text{m}$   
For Thread Size: M12  
Height [mm]: 0.5  
Inner Diameter [mm]: 12.1  
Material: Steel  
Material Group: Steel  
Outer Diameter [mm]: 17.2  
Weight: 0.44g  
Conformities:



You can find all information on the web on our article detail page



Would you like individual advice?

We look forward to your email to [products@ettinger.de](mailto:products@ettinger.de).

Subject to change and errors.