

Article datasheet

Combination Nut UNC4-40 Galvanized Steel 8.8 Toothed Lock Washer

Article-No.: 002.29.741

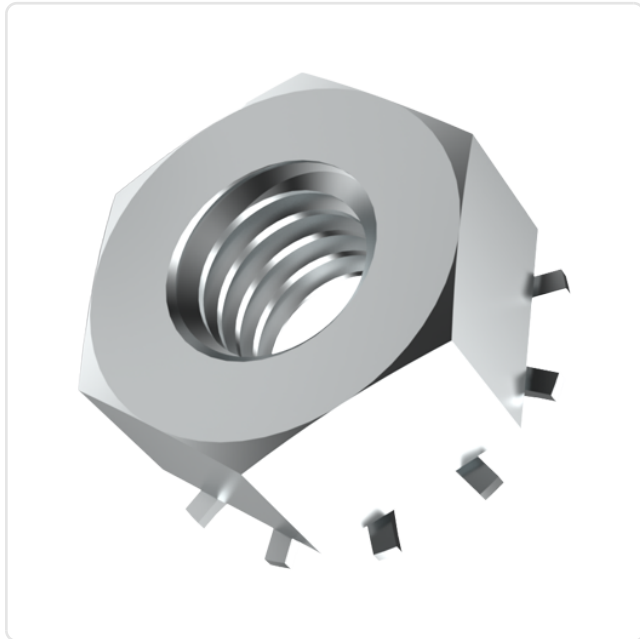
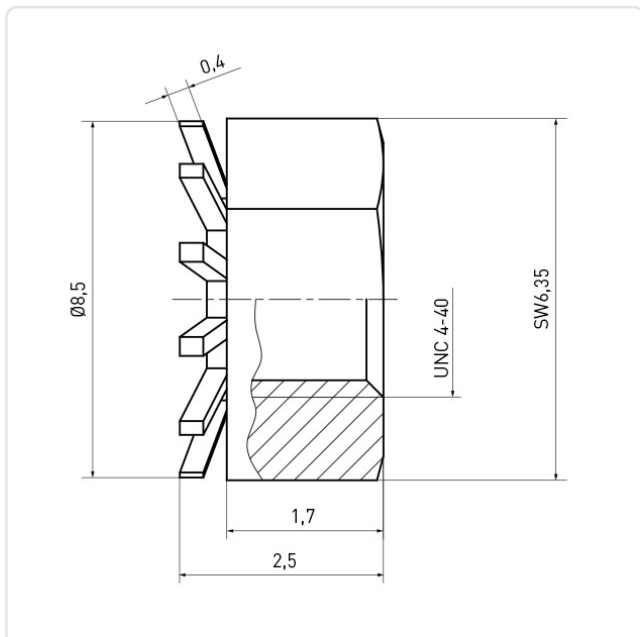


Image may be similar

AF / OD [mm]: 6.35
Finish: Galvanized, Blue, 5 μ m, A2K
Height [mm]: 2.5
Material: Steel 8.8
Material Group: Steel
Thread Size: UNC4-40
Weight: 0.57g
Conformities:



You can find all
information on the web on
our article detail page



Would you like individual advice?

We look forward to your email to products@ettinger.de.

Subject to change and errors.