

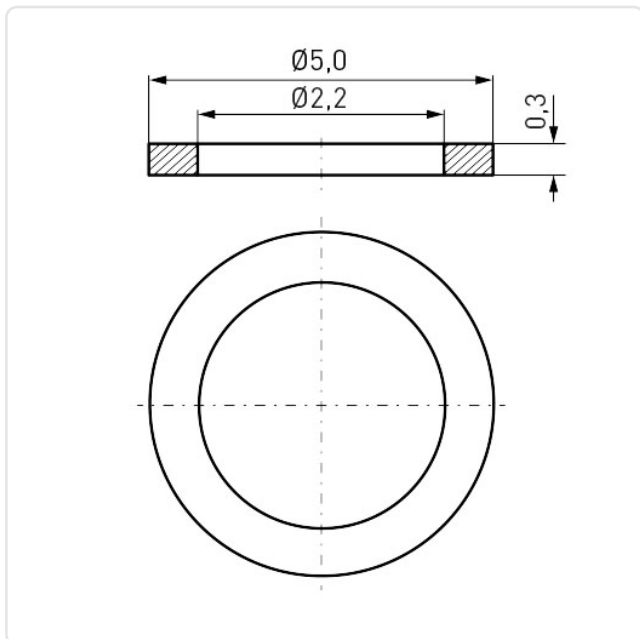
Article datasheet

Flat Washer DIN125 A / ISO7089 $\varnothing 2.2/5.0 \times 0.3$ A2 Plain Stainless Steel

Article-No.: 003.05.012



Image may be similar



DIN/ISO: DIN125A / ISO7089
Finish: Plain
For Thread Size: M2
Height [mm]: 0.3
Inner Diameter [mm]: 2.2
Material: Stainless Steel AISI 304 / A2
Material Group: Stainless Steel
Outer Diameter [mm]: 5
Weight: 0.03g
Conformities:



You can find all
information on the web on
our article detail page

Would you like individual advice?

We look forward to your email to products@ettinger.de.

Subject to change and errors.