

Article datasheet

Screw-On Bumper Ø20.0x10.0 PVC black

Article-No.: 017.54.201

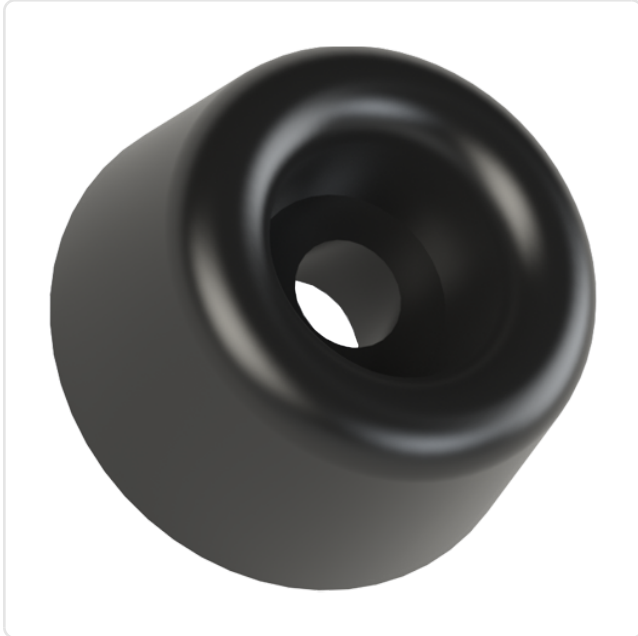
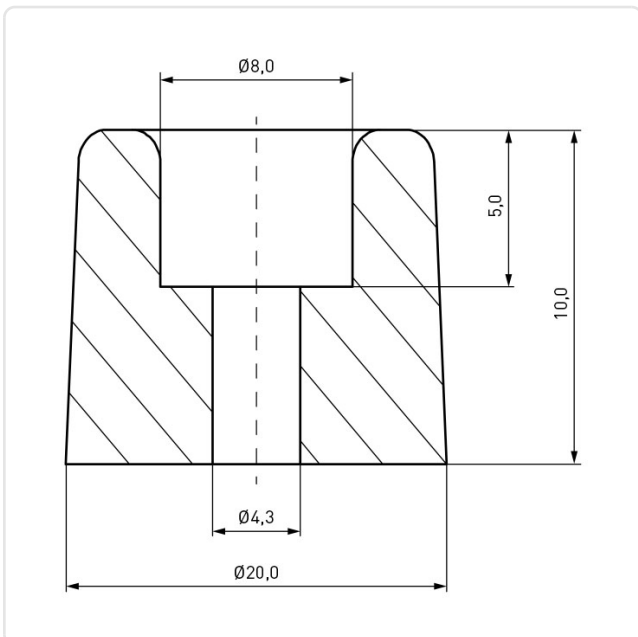


Image may be similar

| | |
|---------------------|--------------------------|
| Bumper Design: | Round, Tapered |
| Color: | Black |
| Diameter [mm]: | 20 |
| Height [mm]: | 10 |
| Material: | PVC - Polyvinyl Chloride |
| Mounting Hole [mm]: | 4.3 |
| Weight: | 2.49g |
| Conformities: | |



You can find all
information on the web on
our article detail page



Would you like individual advice?

We look forward to your email to products@ettinger.de.

Subject to change and errors.