




Article datasheet

Soldering Tag DIN 41496 4x12B1 Brass silver-plated 0.5mm 45°angled

Article-No.: 019.05.849

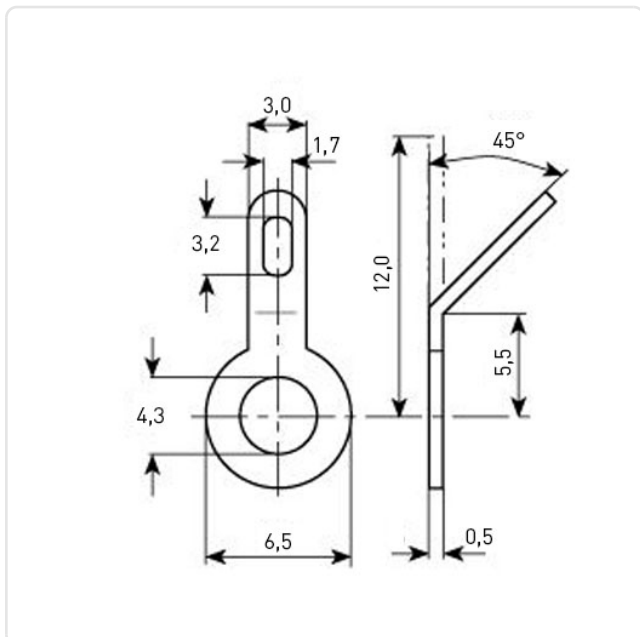


Image may be similar

Bending Angle [°]:	45
DIN/ISO:	DIN41496
Finish:	Silver-Plated
Inner Diameter [mm]:	4.3
Length [mm]:	12
Material:	Brass CW508L / CuZn37, lead-free
Material Group:	Brass
Outer Diameter [mm]:	6.5
Weight:	0.15g
Conformities:	  



You can find all
information on the web on
our article detail page



Would you like individual advice?

We look forward to your email to products@ettinger.de.

Subject to change and errors.