

Article datasheet
Collet Knobs

Article-No.: 025.13.040

Manufacturer: OKW Gehäusesysteme

Manufacturer article-no.: A2513040

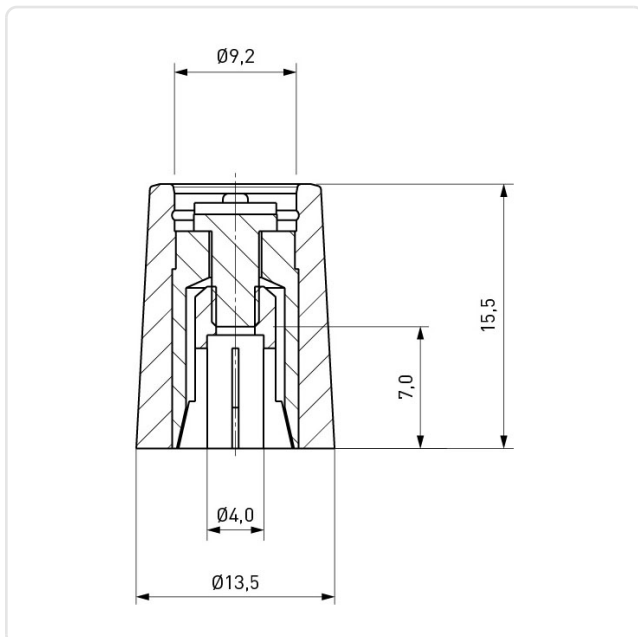


Image may be similar

Color: Black
Height [mm]: 15.5
Inner Diameter [mm]: 4
Material: ABS - Acrylonitrile Butadiene Styrene
Material Group: Plastic
Model: Combination Knob
Outer Diameter [mm]: 13.5
Weight: 6.2g
Conformities:



You can find all information on the web on our article detail page



Would you like individual advice?

We look forward to your email to products@ettinger.de.

Subject to change and errors.