

Article datasheet

Collet Knob \varnothing 10 mm

Article-No.: 025.10.030

Manufacturer: OKW Gehäusesysteme

Manufacturer article-no.: A2510030

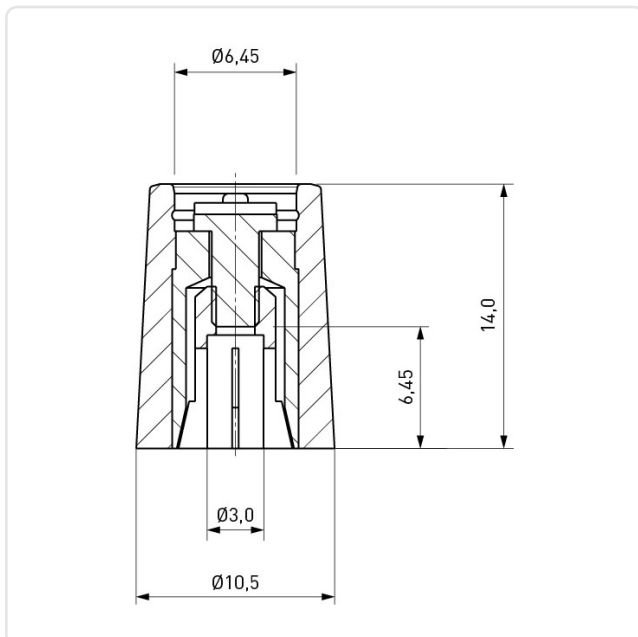


Image may be similar

Color: Black
Height [mm]: 14
Inner Diameter [mm]: 3
Material: ABS - Acrylonitrile Butadiene Styrene
Material Group: Plastic
Model: Combination Knob
Outer Diameter [mm]: 10
Weight: 3.04g
Conformities:



You can find all information on the web on our article detail page



Would you like individual advice?

We look forward to your email to products@ettinger.de.

Subject to change and errors.