

Article datasheet

## Battery holder for 1x AA cell Aluminium with PC lugs

Article-No.: 015.31.831

Manufacturer: Keystone Electronics

Manufacturer article-no.: 2222



Image may be similar

Battery Type: AA-Mignon

Material: Aluminum ENAW-5754 / AlMg3, lead-free

Material Group: Aluminum

Model: PCB Mounting Connection

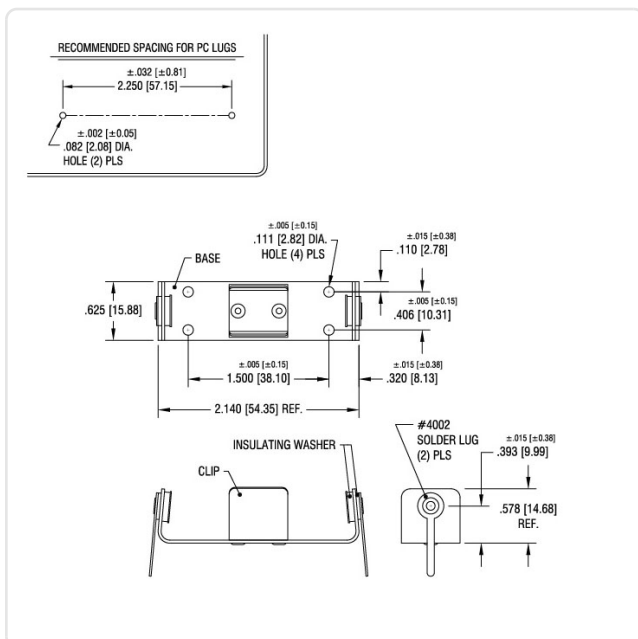
No. Cells: 1

Weight: 4.8g

Conformities:



You can find all information on the web on our article detail page



Would you like individual advice?

We look forward to your email to [products@ettinger.de](mailto:products@ettinger.de).

Subject to change and errors.