

Article datasheet

## Contact Washer $\varnothing 2.7/6.0 \times 0.5$ Alkaline Galv. Spring Ste

Article-No.: 003.20.024

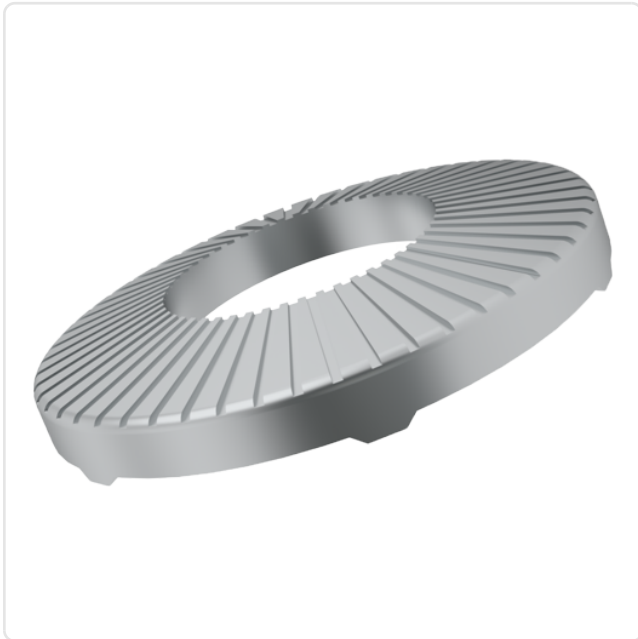
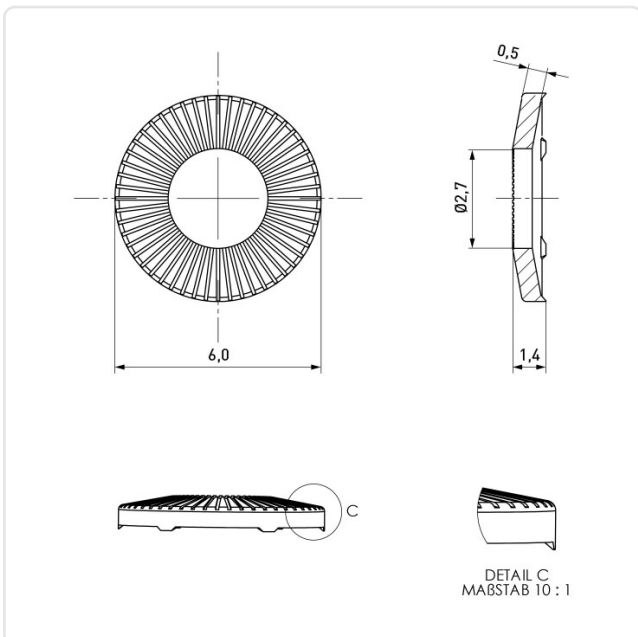


Image may be similar

Finish: Alkaline Galvanized 8  $\mu\text{m}$   
For Thread Size: M2.5  
Height [mm]: 0.5  
Inner Diameter [mm]: 2.7  
Material: Spring Steel  
Material Group: Stahl  
Outer Diameter [mm]: 6  
Weight: 0.08g  
Conformities:



You can find all information on the web on our article detail page



Would you like individual advice?

We look forward to your email to [products@ettinger.de](mailto:products@ettinger.de).

Subject to change and errors.