

Article datasheet

n/a

Article-No.: 041.23.710

Manufacturer: OKW Gehäusesysteme

Manufacturer article-no.: A73.23.010

**OKW**  
GEHÄUSE  
SYSTEME

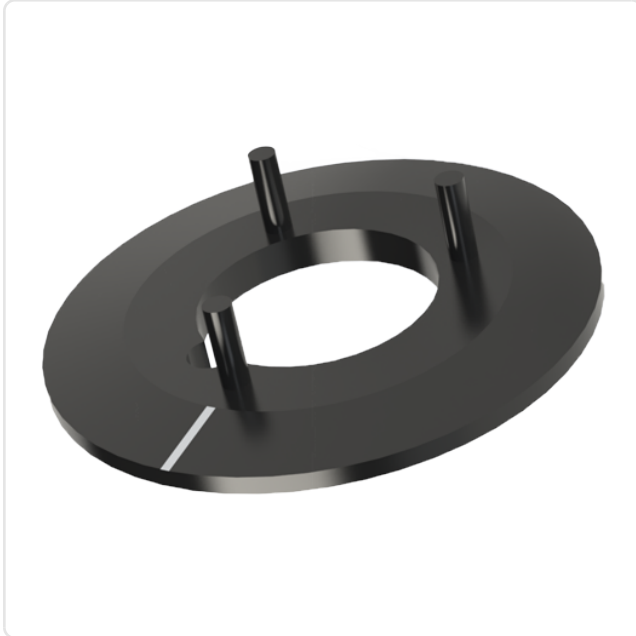
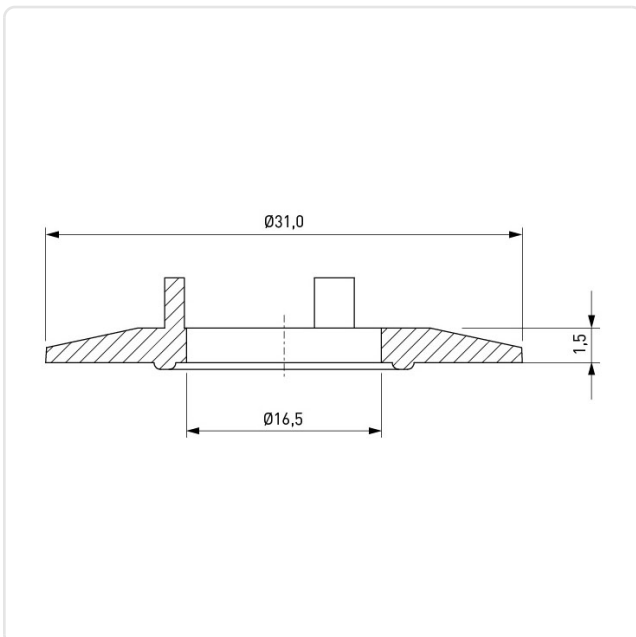


Image may be similar

Color: Black  
Marking: Line  
Material: PC - Polycarbonate  
Material Group: Kunststoff  
Model: Dial  
Outer Diameter [mm]: 31  
Weight: 0.71g  
Conformities:



You can find all  
information on the web on  
our article detail page



Would you like individual advice?

We look forward to your email to [products@ettinger.de](mailto:products@ettinger.de).

Subject to change and errors.