

Article datasheet

Cable terminal DIN 46234 M3-1mm² Copper tinned AWG22-18

Article-No.: 018.61.435

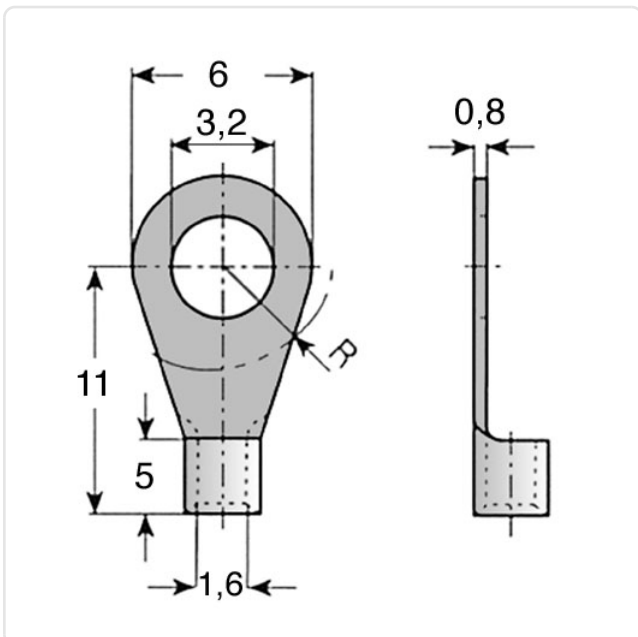


Image may be similar

DIN/ISO:	DIN46234-A
For Thread Size:	M3
Inside Dia.D1 [mm]:	1.6
Material:	Electrolytic Copper
Outer Diameter [mm]:	6
Wire Cross Section [mm ²]:	0.5-1.0
Weight:	0.52g
Conformities:	



You can find all
information on the web on
our article detail page



Would you like individual advice?

We look forward to your email to products@ettinger.de.

Subject to change and errors.