




Article datasheet

## Hole Grommet 22.0/25.5-1.6mm panel Thermoplastic rubber (TPR) black

Article-No.: 014.86.711

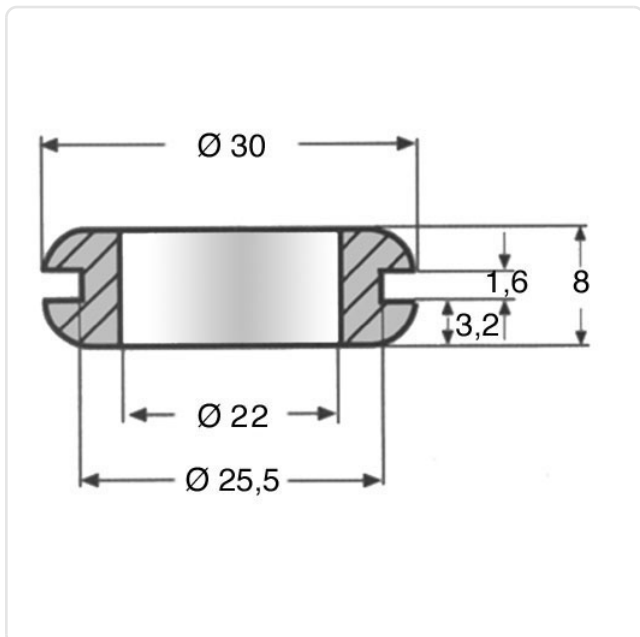


Image may be similar

Color:	Black
Inner Diameter [mm]:	22
Material:	TPR - Thermoplastic Elastomer
Max. Panel Thickness [mm]:	1.6
Mounting Hole [mm]:	25.5
Weight:	2.34g
Conformities:	  



You can find all information on the web on our article detail page



Would you like individual advice?

We look forward to your email to [products@ettinger.de](mailto:products@ettinger.de).

Subject to change and errors.