

Article datasheet

Solderless Terminal DIN 46234 A Copper tinned for M8 4-6mm²

Article-No.: 018.65.485

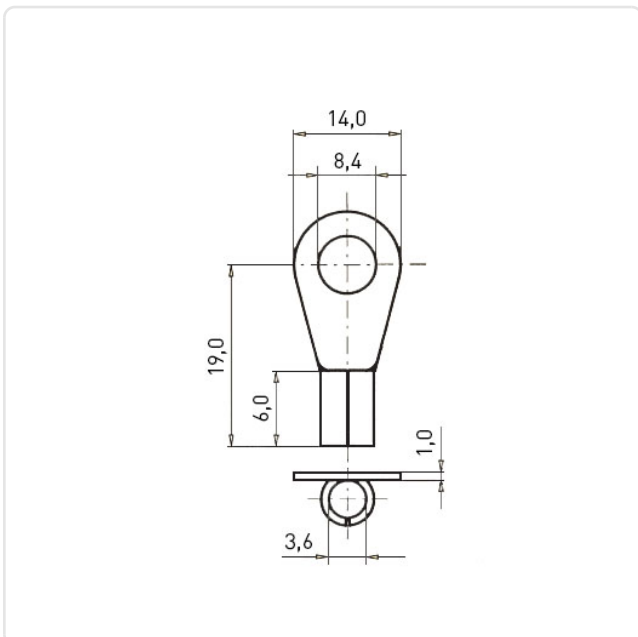


Image may be similar

DIN/ISO:	DIN46234-A
For Thread Size:	M8
Inside Dia.D1 [mm]:	3.6
Material:	Electrolytic Copper
Outer Diameter [mm]:	14
Wire Cross Section [mm ²]:	4.0-6.0
Weight:	2.1g
Conformities:	



You can find all
information on the web on
our article detail page



Would you like individual advice?

We look forward to your email to products@ettinger.de.

Subject to change and errors.