

Article datasheet

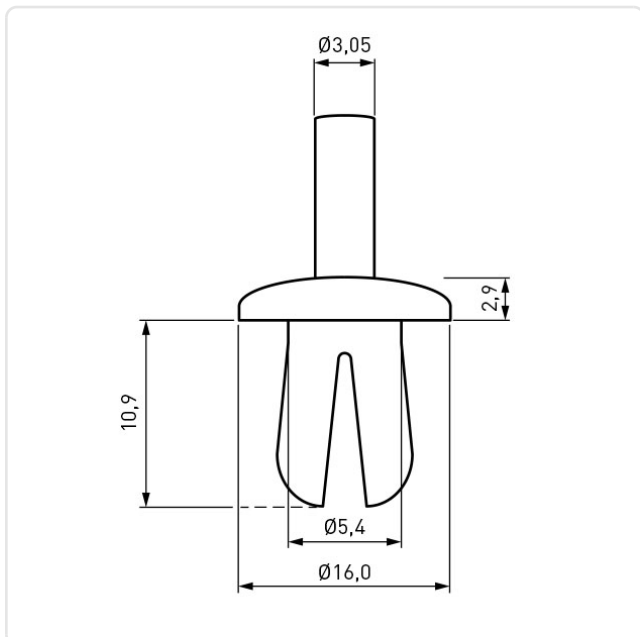
## Drive Rivet Ø5.4 | 2.0-7.5 Polyamide 6.6 natural

Article-No.: 072.13.569



Image may be similar

Color:	Natural
Flammability Class:	UL94-V2
Head Diameter [mm]:	16
Head Height [mm]:	2.9
Length [mm]:	10.9
Mandrel Diameter [mm]:	3.05
Material:	PA 6.6
Model:	not removable
Mounting Hole Range [mm]:	Ø 5.5-5.7
Panel Thickness [mm]:	2,0-7,5
Rivet Diameter [mm]:	5.4
Weight:	0.61g
Conformities:	



You can find all information on the web on our article detail page

Would you like individual advice?

We look forward to your email to [products@ettinger.de](mailto:products@ettinger.de).

Subject to change and errors.