

Article datasheet

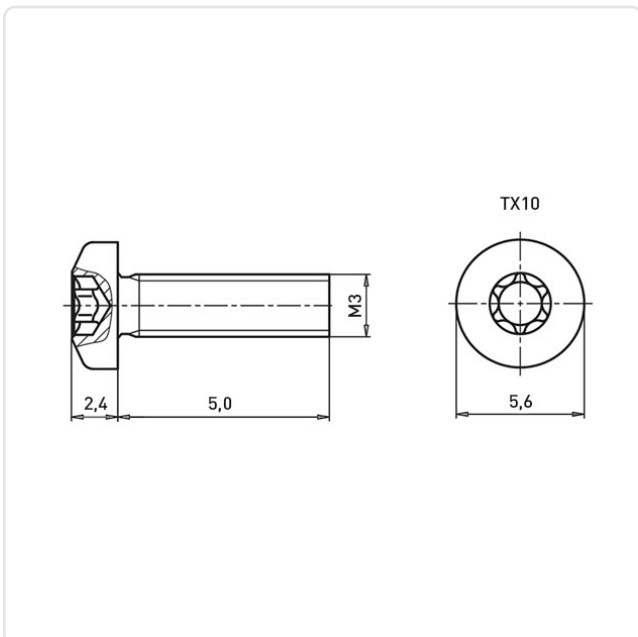
Flat Head Screw ISO14583 M3x5 Galvanized Steel 8.8 Torx Pan Head

Article-No.: 001.64.311



Image may be similar

Actuator Size:	Torx T10
DIN/ISO:	ISO14583
Drive Type:	TORX
Finish:	Galvanized, Blue, 5 µm, A2K
Head Diameter [mm]:	5.6
Head Height [mm]:	2.4
Head Shape:	Pan Head
Length [mm]:	5
Material:	Steel 8.8
Material Group:	Steel
Thread Size:	M3
Weight:	0.55g
Conformities:	



You can find all
information on the web on
our article detail page

Would you like individual advice?

We look forward to your email to products@ettinger.de.

Subject to change and errors.