

Article datasheet

## Female PC Faston 2.8x0.4mm PCB mounting Brass tinned

Article-No.: 019.25.088

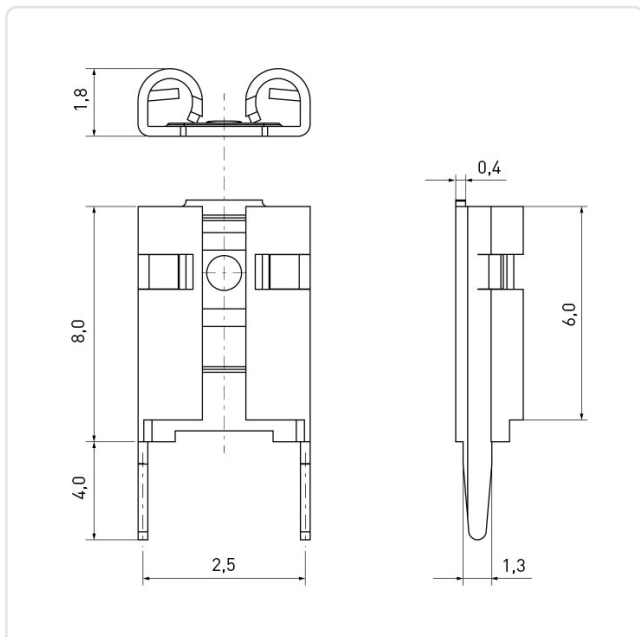


Image may be similar

DIN/ISO: DIN46342  
Finish: Tin-Plated  
Length [mm]: 12  
Material: Brass  
Material Group: Messing  
Size [mm]: 2.8x0.4  
Weight: 0.16g  
Conformities:



You can find all  
information on the web on  
our article detail page



Would you like individual advice?

We look forward to your email to [products@ettinger.de](mailto:products@ettinger.de).

Subject to change and errors.