

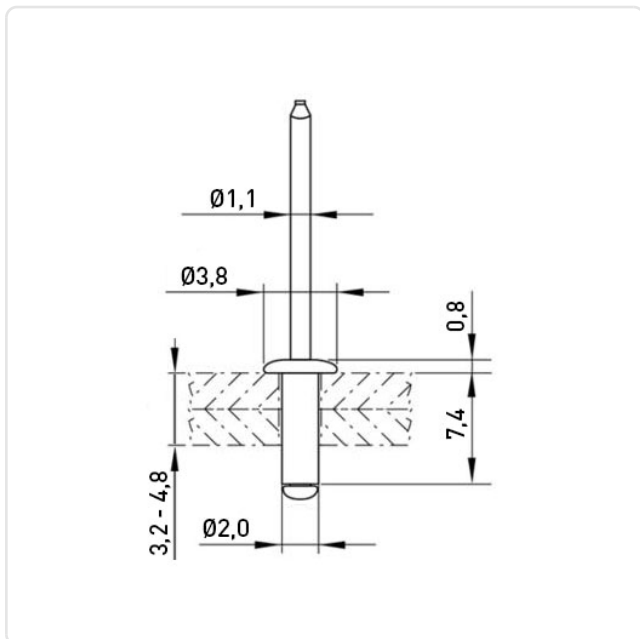
Article datasheet

## Blind Rivet Ø2.0x7.4 Aluminum Shell / Steel Mandrel

Article-No.: 001.08.148



Image may be similar



Finish:	Plain
Head Diameter [mm]:	3.8
Length [mm]:	7.4
Mandrel Diameter [mm]:	1.1
Material:	Aluminum Shell / Steel Mandrel
Mounting Hole [mm]:	2.1
Panel Thickness [mm]:	3,2-4,8
Rivet Diameter [mm]:	2
Weight:	0.37g
Conformities:	



You can find all  
information on the web on  
our article detail page

Would you like individual advice?

We look forward to your email to [products@ettinger.de](mailto:products@ettinger.de).

Subject to change and errors.