

Article datasheet

Fast On Receptacle 6.3x0.8mm 90° Polyamid blue E329381 1.5-2.5mm²

Article-No.: 012.68.366

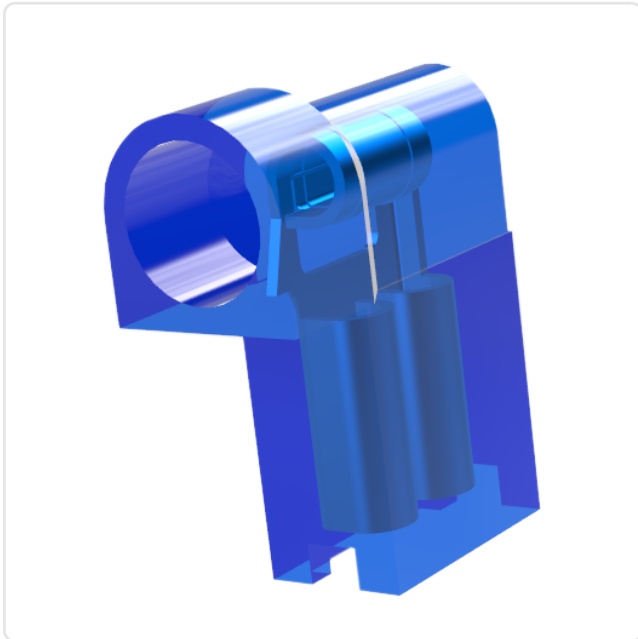


Image may be similar

Color:	Blue
Finish:	Tin-Plated
Insulation:	Polyamide
Length [mm]:	16.1
Material:	Brass
Material Group:	Brass
Size [mm]:	6.3x0.8
Wire Cross Section [mm ²]:	1.5-2.5
Weight:	1.25g
Conformities:	



You can find all
information on the web on
our article detail page

Would you like individual advice?

We look forward to your email to products@ettinger.de.

Subject to change and errors.

