

Article datasheet

## Solder Terminal Pin 1.6x7.5mm Bronze tinned 0.4mm for hole $\varnothing$ 0.7mm

Article-No.: 013.13.215

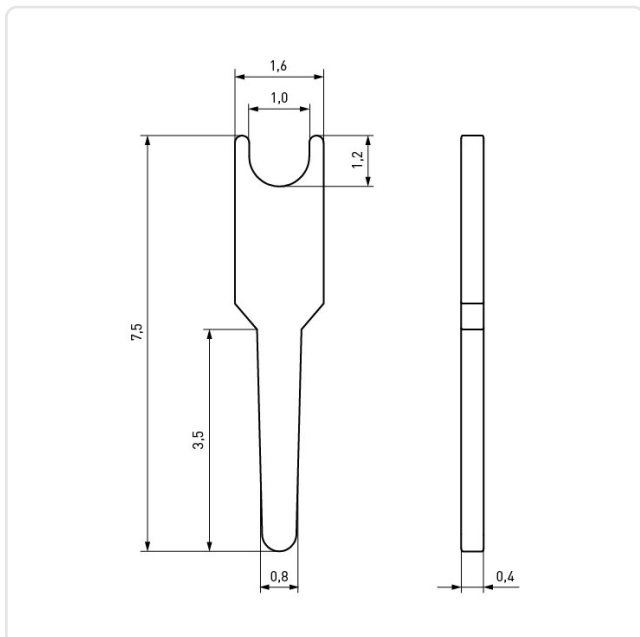


Image may be similar

Diameter [mm]: 1.6  
Finish: Tin-Plated  
Length [mm]: 7.5  
Material: Bronze  
Material Group: Bronze  
Model: flat  
PCB Hole  $\varnothing$  [mm]: 0.7  
Weight: 0.03g  
Conformities:



You can find all information on the web on our article detail page



Would you like individual advice?

We look forward to your email to [products@ettinger.de](mailto:products@ettinger.de).

Subject to change and errors.