

Article datasheet

Single T-1 Holder 90° ø3.8 Dia. Polyamid (Nylon) 66 black UL94-V0

Article-No.: 063.41.380

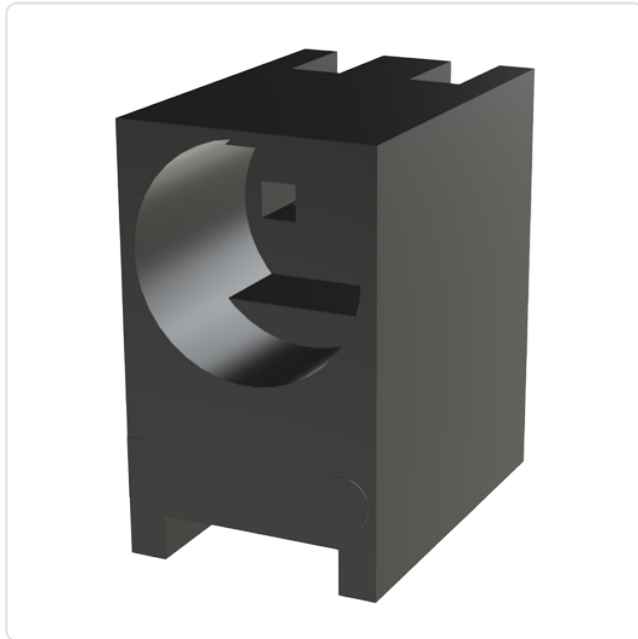


Image may be similar

Color: Black
 Diameter [mm]: 3.8
 Flammability Class: UL94-V0
 LED Size [mm]: Ø 3
 Material: PA 6.6
 Material Group: Plastic
 Width [mm]: 4.3
 Weight: 0.15g
 Conformities:



You can find all information on the web on our article detail page

Would you like individual advice?

We look forward to your email to products@ettinger.de.

Subject to change and errors.

