

Article datasheet

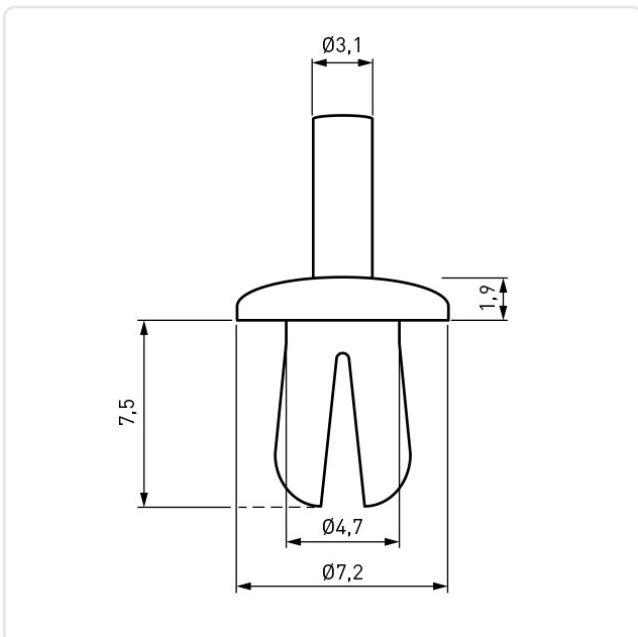
## Drive Rivet Ø4.7 | 1.5-5.0 Polyamide 6.6 natural

Article-No.: 072.13.551



Image may be similar

Color:	Natural
Flammability Class:	UL94-V2
Head Diameter [mm]:	7.2
Head Height [mm]:	1.9
Length [mm]:	7.5
Mandrel Diameter [mm]:	3.1
Material:	PA 6.6
Model:	not removable
Mounting Hole Range [mm]:	Ø 4.8-5.0
Panel Thickness [mm]:	1,5-5,0
Rivet Diameter [mm]:	4.7
Weight:	0.18g
Conformities:	



You can find all information on the web on our article detail page

Would you like individual advice?

We look forward to your email to [products@ettinger.de](mailto:products@ettinger.de).

Subject to change and errors.