

Article datasheet

## Knurled Knobs, Low, M10 black For Hex Screws and Nuts

Article-No.: 002.37.100



Image may be similar

AF / OD [mm]:	17
Color:	Black
Diameter [mm]:	36
Flammability Class:	UL94-HB
Height [mm]:	10
Material:	POM - Polyoxymethylene
Material Group:	Plastic
Thread Size:	M10
Weight:	5.92g
Conformities:	

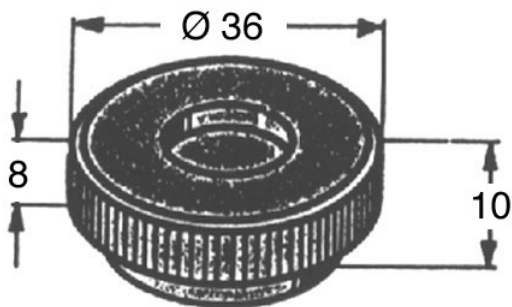


You can find all information on the web on our article detail page

Would you like individual advice?

We look forward to your email to [products@ettinger.de](mailto:products@ettinger.de).

Subject to change and errors.



Ausführung A – flach, offen



DIN 555, 601, 934



DIN 558, 571, 931, 7976