

Article datasheet

Blade Terminal 6.3x0.8 | 90° Tin-Plated Bronze

Article-No.: 019.68.161

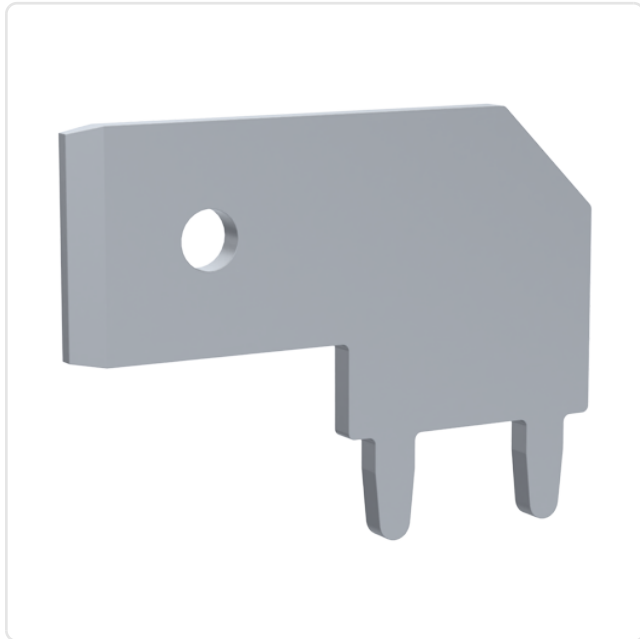


Image may be similar

Bending Angle [°]:	90
Finish:	Tin-Plated
Grid [mm]:	5.08
Material:	Bronze
Material Group:	Bronze
PCB Hole Ø [mm]:	1.3
Plug-In Length [mm]:	8.2
Size [mm]:	6.3x0.8
Tabs:	1
Weight:	0.87g
Conformities:	



You can find all
information on the web on
our article detail page

Would you like individual advice?

We look forward to your email to products@ettinger.de.

Subject to change and errors.

