

Article datasheet

Spring-Type Straight Pin ISO13337 Ø10x70 Spring Steel

Article-No.: 084.00.1070

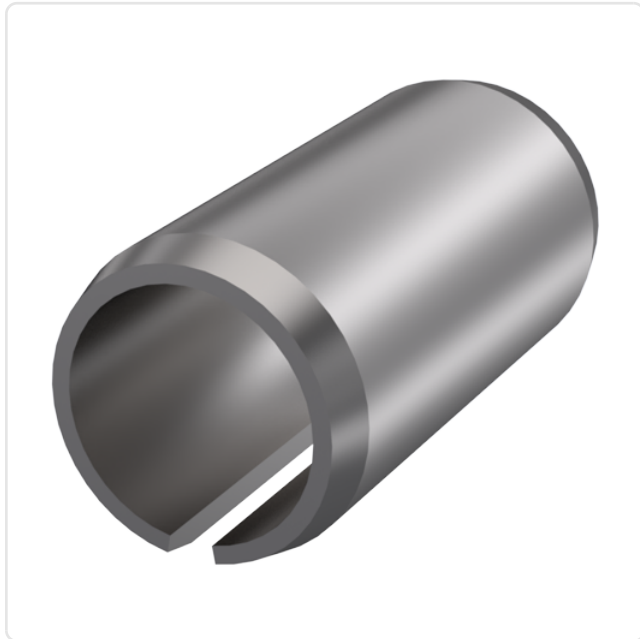


Image may be similar

DIN/ISO: ISO13337

Diameter [mm]: 10

Length [mm]: 70

Material: Spring Steel

Conformities:



You can find all
information on the web on
our article detail page

Would you like individual advice?

We look forward to your email to products@ettinger.de.

Subject to change and errors.

