

Article datasheet

Lock Washer Ø5.3/9.0 x 0.6 Nickel-Plated Spring Steel

Article-No.: 003.04.053

Manufacturer: SCHNORR

Manufacturer article-no.: 415100 / S5

SCHNORR
DISC SPRING ENGINEERING

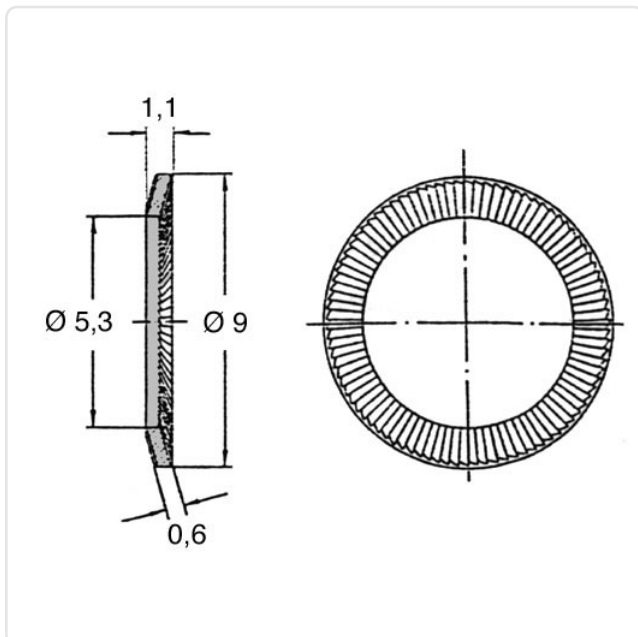


Image may be similar

Finish: Nickel-Plated, 3 µm, E1E
For Thread Size: M5
Height [mm]: 0.6
Inner Diameter [mm]: 5.3
Material: Spring Steel
Material Group: Steel
Outer Diameter [mm]: 9
Weight: 0.18g
Conformities:



You can find all information on the web on our article detail page



Would you like individual advice?

We look forward to your email to products@ettinger.de.

Subject to change and errors.